



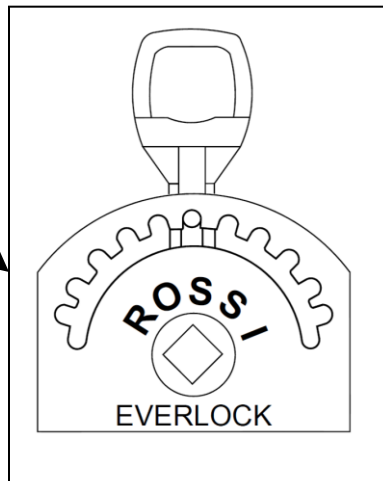
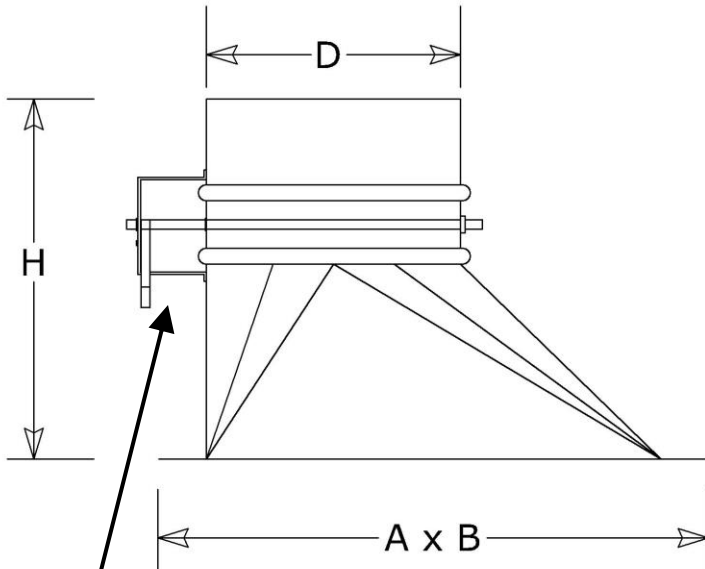
Northeastern Sheet Metal, Inc.

31 Depot Street Goffstown, NH 03045

PH: (603) 497-4166 FAX: (603) 497-8518

SUBMITTAL DATA

MODEL: HETD38XL-R



Detail of ROSSI Locking Quadrant

Construction

- 26 Gauge Galvanized Steel
- .125 Double Stick Neoprene Gasket
- 3/8" Square Damper Rod
- Heavy duty locking Quadrant with 2" stand-off by Rossi
- Nylon Damper Bushings

Diameter "D"	Base "AxB"	Height "H"
5"	11.5" x 6.5"	11.5"
6"	13.5" x 7.5"	11.5"
7"	13.5" x 7.5"	11.5"
8"	13.5" x 7.5"	11.5"
9"	13.5" x 7.5"	12.5"
10"	17.5" x 8.25"	12.5"
12"	19.5" x 10"	12.5"
14"	21.5" x 11"	12.5"
16"	25.5" x 13.5"	16"

As part of our commitment to continuous improvement NESM reserves the right to change specifications, dimensions, and materials without notice.

JOB NAME _____ LOCATION _____ ENGINEER _____ CONTRACTOR _____	DRAWN BY	DATE
	ALL PRODUCTS PROUDLY MADE IN THE USA BY SMWIA LU-17	REVISION
		DRAWING NUMBER